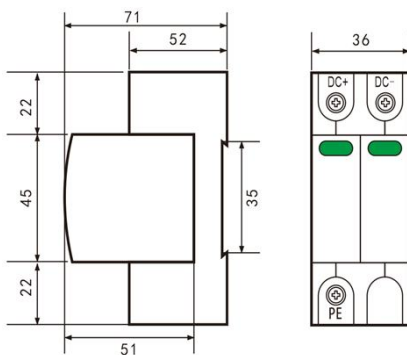
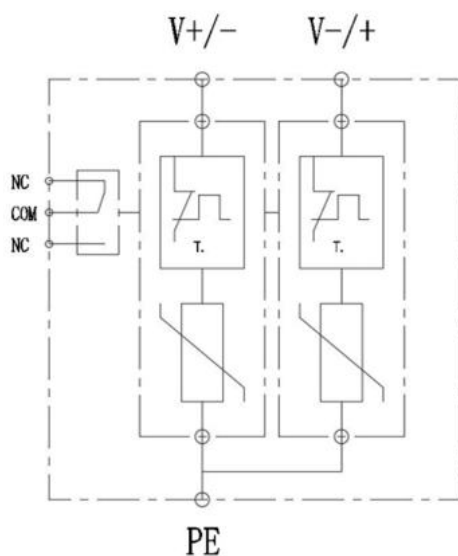




Dimension Drawing(mm)



Circuit Diagram



## RG2-PV100-40-2

**Description:** DIN RAIL Mountable, Type 2 / Class II SPD for use in DC PV System

- Features:**
- ✓ Reliable Thermo-Disconnect Device
  - ✓ High Discharge Capacity
  - ✓ Visual and Remote Status Indication
  - ✓ Base + Pluggable Module
  - ✓ Multifunctional Terminals for connecting conductors and busbars
  - ✓ DIN Rail Mountable Installation

**Approval:** CE

Type Part No.	RG2-PV100-40-2
<b>Electrical</b>	
SPD according to EN 50539-11 : 2013	Type 2
Technology	MOV
Max. continuous operating d.c. voltage (Ucpv)	100V
Nominal discharge current (8/20 μs) (In)	20kA
Max. discharge current (8/20 μs) (Imax)	40kA
Voltage Protection level (Up)	1KV
Response time (tA)	≤25ns
Max. overcurrent protection	Not Required
Short-circuit withstand capacity (Iscpv)	1000A
<b>Mechanical</b>	
Method of mounting	35mm DIN Rail Mountable
Enclosure dimensions (HxWxD)	89mm x 36mm x 71mm
Cross-sectional area (max.)	25 mm <sup>2</sup> stranded / flexible
Cross-sectional area (min.)	1.5 mm <sup>2</sup> stranded / flexible
Stripping length terminals	10mm
Torque contacts	3 N*m
<b>Environmental</b>	
Location category	Indoor only
Operation temperature range (TU)	-40°C to +85°C
Relative humidity	≤95% (max 40 C)
Operation altitude	≤4000 m
Degree of protection	IP 20
Enclosure material	Thermoplastic, UL 94V-0
<b>Indication</b>	
Operating status/fault indication	Green / Red